

Contact Information

ADD: He Yi Industry Park, Wuxing Industrial Zone, Oubei Town,
Yongjia County, Wenzhou City, Zhejiang, China

Tel: +86-577-66967292

Fax: +86-577-66967192

Cell: +86-158-6772-9999

Web: <http://www.verspec.com>

E-mail: info@verspec.com

Skype ID: verspec



VK-6800 High Abrasion-Resistant Knife Gate Valve



Company Brief

VerSpec brand is a combination from two words: **VERY SPECIAL**

Special means different from normal, and we also want customer feel not only a little different, we want to give customer much more difference compare with other normal suppliers. That's why we called Very-Special.

VerSpec Brand was registered in USA on 2013, we have one warehouse located in Arkansas State. If customer need American brand, fast delivery and Special valves, VerSpec can be your best Choice.



1

Production and R&D Facility



One supplier's machining Workshop on Jiangsu, China

EVO 18Special Edition

ICP Optical Emission Spectrometer

VerSpec Valve Core Values

1-Customer First

2-Sincerity, Honesty and Open

3-Communicate, Communicate, One More time

4-Make Work Passion and Fun

5-Put people before profits

2

Features of VerSpec VK-6800 High Abrasion-Resistant Knife Gate Valve

Integral Polyurethane (PU) Molding Constructure as valve body

Advantage #1- Soft seat makes sealing performance more stable than metal seated valve.

Advantage #2- Polyurethane is a high abrasion-resistant material, (Shore Hardness: HD≈90), that's a very good material used for mining process.

Bi-directional Sealing Design

Advantage #1- Zero leakage sealing in forward direction under 100% working pressure, but in opposite direction, zero leakage should under 50% of working pressure.

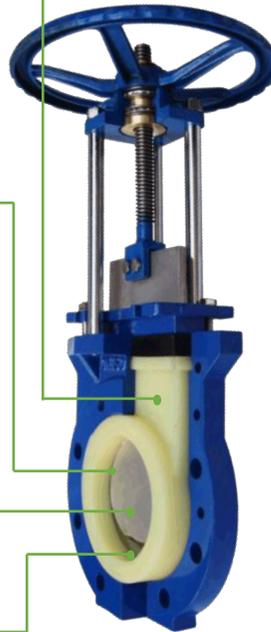
Full Bore Design

Advantage #1- when gate in full open position, all gate will be hidden into the body cavity, it's prevent gate contact particle medium directly from abrasion.

Seat Self-washing Constructure

Advantage #1- Medium will not be stay in bottom of seat, keep cavity of valve clean.

Advantage #2- Knife gate is impossible to be stopped by remain particle.

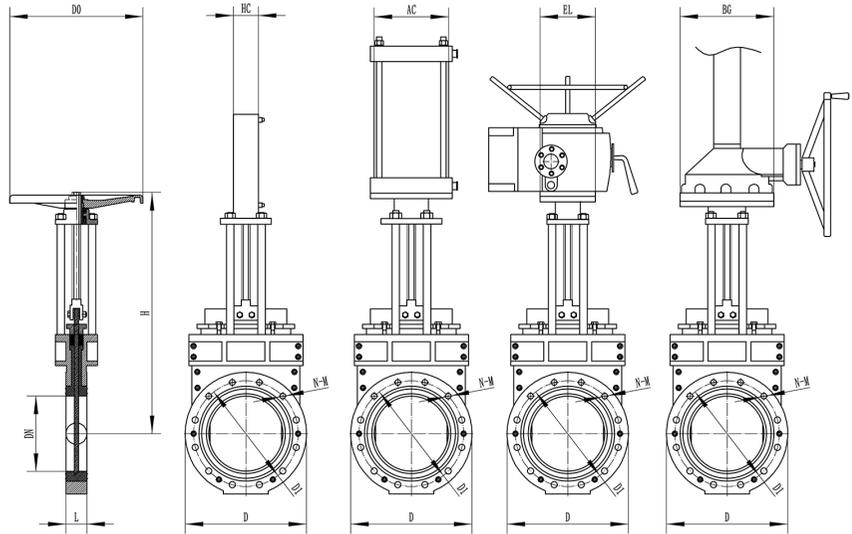


In general mining process, **high abrasion** is one of biggest **problem** for pipeline equipments, such as fittings, pumps, And valves. So a equipment not only with great sealing performance also need has great abrasion resistant Performance was expectant. VerSpec VK-6800 series knife gate valve is the new design specialized for mining industries, for example, Taconite, Iron Ore, Copper Ore, Gold Ore, Phosphorus Ore, Lead Ore, Coal Ore, etc.



VK-6800 series Knife gate valve is very good used for below mining process: Ore Grinding(**ball grind mill, cyclone**), Ore Selection(**select floatation, magnetic separation**), concentration etc.

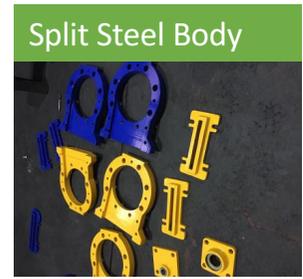




DN	D	D1	N-M	L	H	DO	HC	AC	EL	BG
50	165	125	4-M16	60	367	280	50	100	145	175
65	185	145	4-M16	60	395	280	50	100	145	175
80	200	160	8-M16	60	412	280	63	125	145	175
100	229	180	8-M16	60	450	280	63	125	145	175
125	254	210	8-M16	60	510	280	63	160	145	175
150	279	240	8-M20	70	550	320	80	160	185	210
200	343	295	12-M20	70	640	320	80	200	185	210
250	406	355	12-M24	70	790	400	80	250	185	300
300	483	410	12-M24	76	890	400	80	250	185	300
350	520	470	16-M24	76	990		100	320	225	300
400	580	525	16-M27	89	1090		100	320	225	350
450	640	585	20-M27	89	1200		120	320	225	350
500	699	650	20-M30	114	1320		120	350	275	415
600	840	770	20-M33	114	1450		140	400	275	415

Design and manufacturing standard can be customized according to customer's requirements

www.verspec.com



No.	Part name	Material
1	Body	GGG50
2	Liner	Polyurethane
3	Gate	SS+Cr
4	Packing	NBR+PTFE
5	Packing gland	Stainless Steel
6	U type adapter	Stainless Steel
7	Stem	2Cr13
8	Support Column	45# Steel +Cr
9	Yoke	Carbon steel
10	Fastener	Stainless Steel
11	Operator	Multi-choice

